

5. BS-5095 Research Polarizing Microscope



BS-5095



BS-5095RF/TRF

Introduction

BS-5095 series scientific research polarizing microscopes have been specially designed for laboratory and scientific research work and university education, the microscopes combine with the practical, easy operation and superior optical system, can be used for single polarization, orthogonal polarization, conoscopic light observation. They can provide you reliable, high resolution and high contrast image. The microscopes can be used for multipurpose polarized light observation in fields such as geology, mineralogy and fossil fuel resource exploration.

Feature

1. Research-grade Polarizing Microscope with Wide Application Range and High Reliability.

- (1) Transmission observation: Bright Field, Dark Field, Phase Contrast.
- (2) Reflection observation: Bright Field, Dark Field, Polarizing, Fluorescent, Phase Contrast (DIC).
- (3) Multiple Types of Compensators are available.



2. Excellent Optical Quality and Strong Stability.

- (1) Infinite optical system and 10X/25mm eyepiece provide a high definition and wide view field.

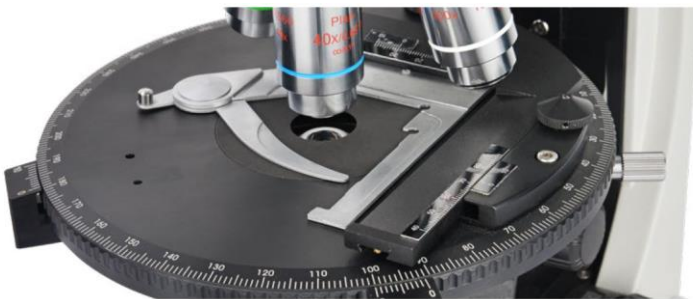
(2) Kohler Illumination System with Uniform Illumination makes the microscopic imaging more realistic and the results are highly repeatable.

(3) Strain-free Plan objectives Make Imaging More Accurate.

(4) Center Adjustable Sextuple Nosepiece allow more objectives.



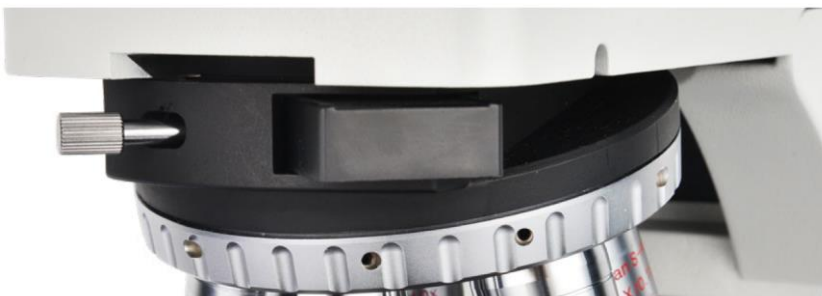
(5) High-precision Revolving Round Stage, diameter 190mm, pre-centered, attachable X-Y stage is optional.



(6) The polarizing set includes 0-360° rotatable analyzer, Bertrand lens can switch very quickly from conoscopic and orthoscopic images.



(6) Compensator Slot on nosepiece. Various compensators can be used to enhance the advanced quantitative measurement of the signal of the weak birefringent material.



3. Tilting Seidentopf Trinocular Viewing Head(optional) can be operated in a more comfortable position.



4. Rotary Observation Module. Up to 6 observation modules can be placed in the rotating disc structure, different observation method can be quickly switched.



5. ECO Function. The transmitted light would be off automatically after 30 minutes from operators leave. It can save energy and extend the lamp life.



Application

BS-5095 series polarizing microscopes are ideal instrument in geology, petroleum, coal, mineral, chemicals, semiconductor and pharmaceutical inspection fields. They are widely used in academic demonstration and scientific research areas.

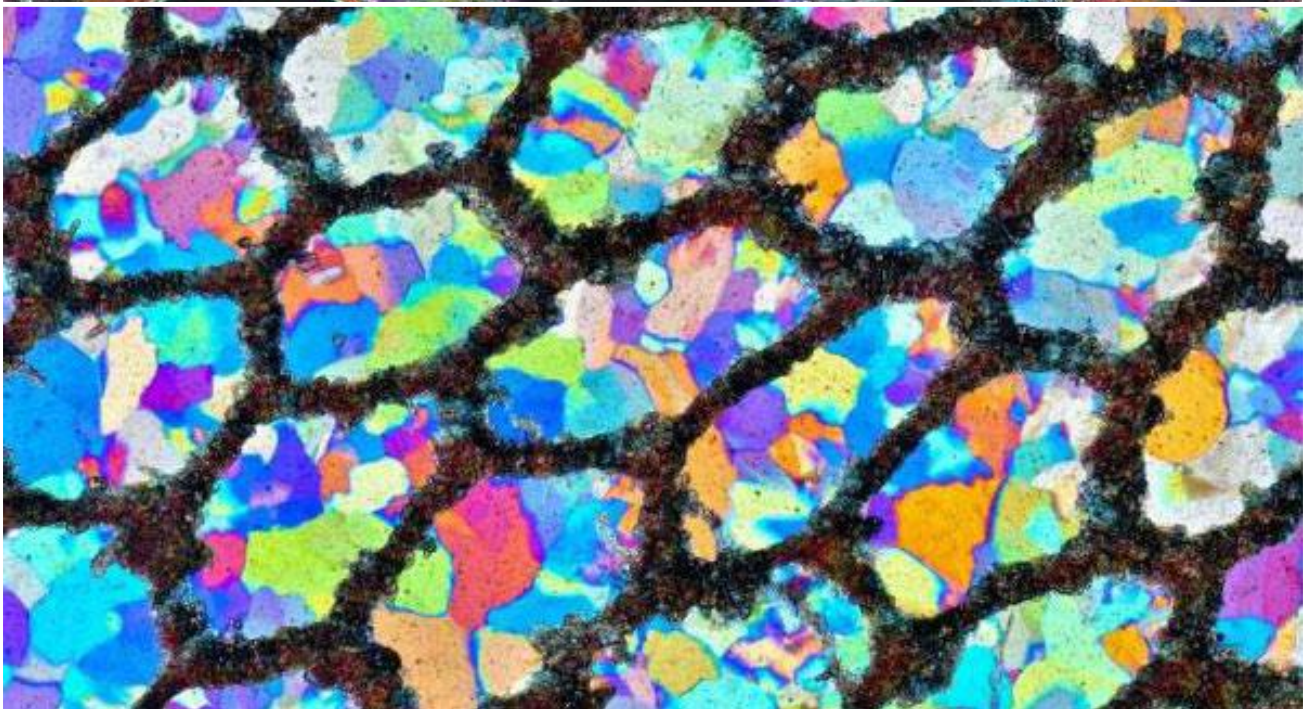
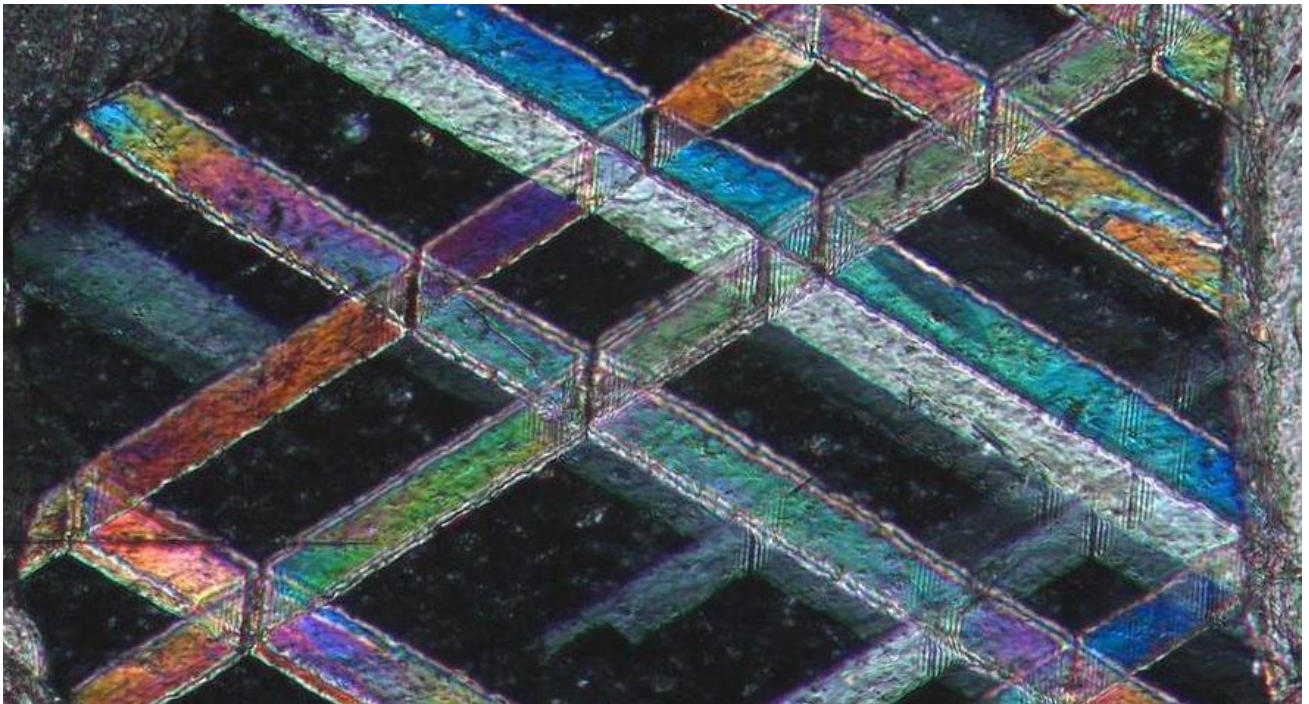
Specification

Item	Specification	BS-5095	BS-5095 RF	BS-5095 TRF
Optical System	NIS60 Infinite Plan Semi-Apochromatic Optical System	●	●	●
Viewing Head	Seidentopf Trinocular Head, inclined at 30°, 360° Rotatable, Interpupillary Distance: 47-78mm	●	●	●
	Tilting Seidentopf Trinocular Head, inclined at 0-35°, 360° Rotatable, Interpupillary Distance: 47-78mm	○	○	○

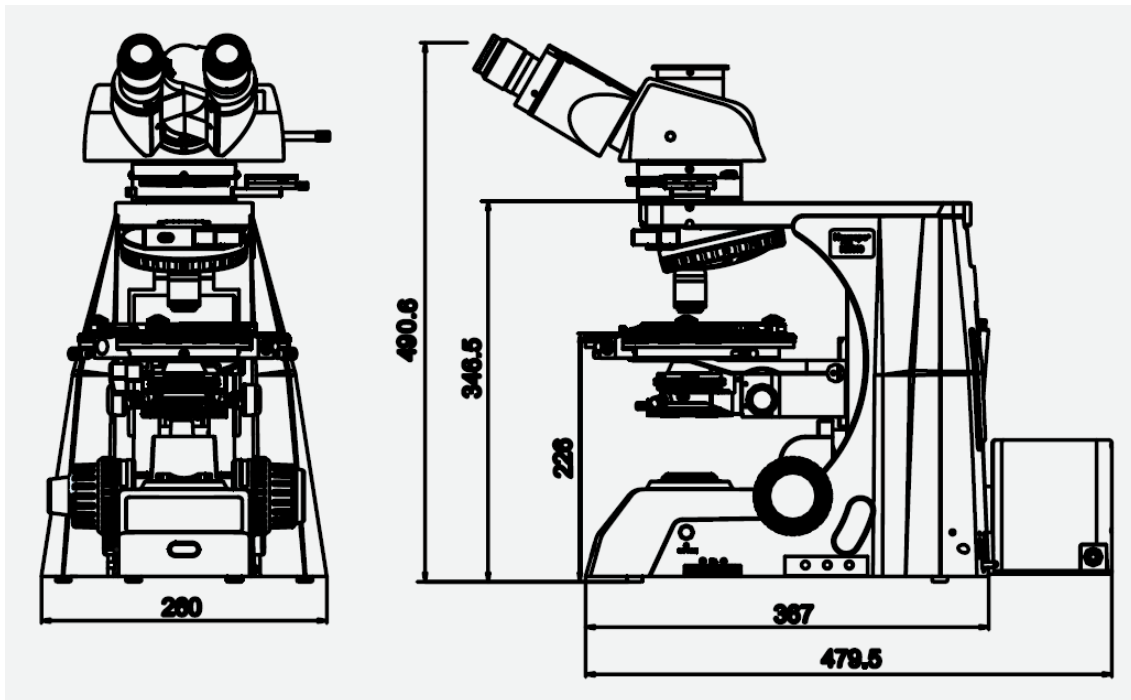
Eyepiece	SW10×/25mm (2 pieces)	●	●	●
	SWF10×/25 with cross line reticle, with fixing pin (1 piece)	●	●	●
	SWF10×/25 with cross line, with fixing pin (1 piece)	●	●	●
	SWF10×/25 with grid reticle, with fixing pin (1 piece)	●	●	●
Infinite Strain Free Plan Achromatic Objective (Transmitted)	4×/0.10 W.D=30.0mm	●		○
	10×/0.25 W.D=10.2mm	●		○
	20×/0.40 W.D=12mm	○		○
	40×/0.65(S) W.D=0.7mm	●		○
	60×/0.80 (S) W.D=0.3mm	○		○
	100×/1.25 (S, Oil) W.D=0.2mm	●		○
LWD Infinite Strain Free Semi-APO Plan Objective (Reflected)	5×/0.15 W.D=20mm		●	●
	10×/0.30 W.D=11mm		●	●
	20×/0.45 W.D=3.0mm		●	●
LWD Infinite Strain Free APO Plan Objective (Reflected)	50×/0.80 (S) W.D=1.0mm		●	●
	100×/0.90 (S) W.D=1.0mm		○	○
Nosepiece	Backward Quintuple Nosepiece with DIC Slot, center adjustable	●	●	●
Condenser	Strain-free swing out condenser N.A.0.9/0.25	●		●
Transmitted Illumination	Koehler Illumination 12V/100W Halogen Lamp (Input voltage: 100V-240V)	●		●
Reflecting Illumination	Koehler Illumination 12V/100W Halogen Lamp (Input voltage: 100V-240V)		●	●
Focusing	Coaxial Coarse & Fine Adjustment, Fine Stroke 0.1mm, Coarse Stroke 35mm, Fine Division 0.001mm, Sample Space 50mm	●	●	●
Stage	High-precision Revolving Round Stage, Diameter 190mm, Center Adjustable, 360° Rotatable, Minimum Division 1°, Vernier Division 6', 45° Click Stop Knob	●	●	●
Attachable Stage	Attached Mechanical Stage with X-Y movement, Moving Range 30mm×30mm	●	●	●
Analyzer Unit	Rotatable 360°, Minimum Scale Reading: 0.1°(Vernier Scale)	●	●	●
Conoscopic observation	Switch between Orthoscopic and Conoscopic Observation, Bertrand Lens Position Adjustable	●	●	●
Optical Compensator	λ Plate(First Class Red), 1/4λ Plate, Quartz Wedge Plate	●	●	●
Transmitted Polarizer	With Scale, Rotatable 360°, Can Be Locked	●		●
Reflected Polarizer	Fixed Polarizer		●	●
Filter	Blue	●	●	●
	Amber	○	○	○
	Green	○	○	○
	Neutral	○	○	○
C-mount	1×	○	○	○
	0.5×	○	○	○

Note: ● Standard Outfit, ○ Optional

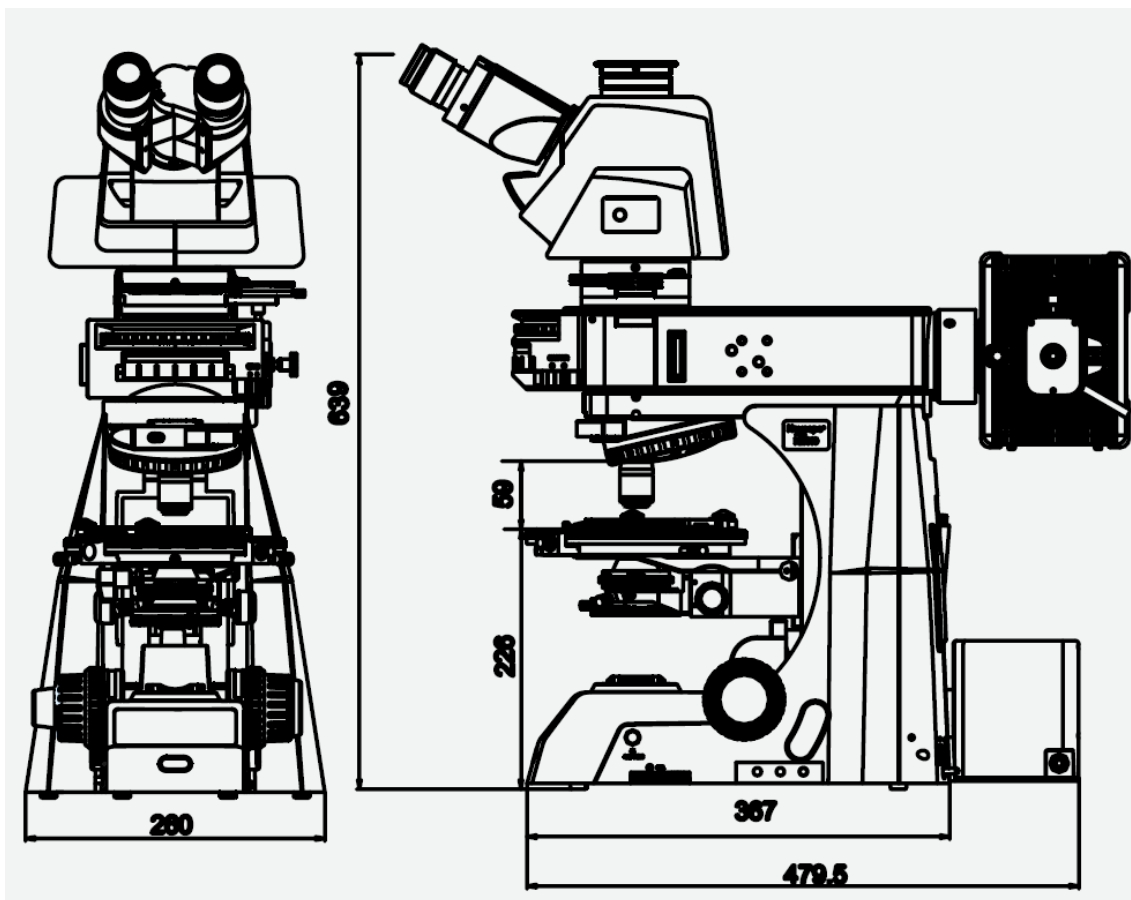
Sample Image



Dimension



BS-5095



BS-5095RF/TRF with tilting trinocular head