

2. BS-6002R/TR Metallurgical Microscope



BS-6002BR



BS-6002BTR



BS-6002TR



BS-6002TTR

Introduction

BS-6002R/TR Series metallurgical microscopes are high level professional microscopes which are specially designed for metallurgical analysis. With excellent optical system, ingenious stand and convenient operation, they will be your best choice.

Features

1. Infinite optical system provides excellent resolution and definition.
2. Infinite long working distance objective, provide wide space for specimens.



Metallurgical LWD Infinite Plan Objectives

3. Powerful LED or Halogen transmitted and reflected system with Kohler illumination.
4. Polarizing attachment and other accessories are available.
5. Stage with fast lowering unit can increase 50mm for working distance, more convenient for observing big size sample.
6. Oversized three-layer mechanical stage provides more choice for samples.



7. Reflection illumination with Field diaphragm and Aperture diaphragm.



1. Polarizer 2. Filter switch handle 3. Field diaphragm 4. Aperture diaphragm
 A. Analyzer B. Ground glass slider

Application

BS-6002R/TR series metallurgical microscopes are widely used in institutes and laboratories to observe and identify the structure of various metal and alloy, they also can be widely used in electronics, chemical and instrumentation industry, observe the opaque material and transparent material, such as metal, ceramics, integrated circuits, electronic chips, printed circuit boards, LCD panels, film, powder, toner, wire, fibers, plated coatings, and other non-metallic materials and so on.

Specification

BS-6002BR, BS-6002BTR

Item	Specification	BS-6002 BR	BS-6002 BTR
Optical System	Infinite Optical System	●	●
Viewing Head	Seidentopf Binocular Head, Inclined 30°, Rotatable 360°, Interpupillary Distance: 48-76mm, Tube diameter: 30mm	●	●
	Seidentopf Trinocular Head, Inclined 30°, Rotatable 360°, Interpupillary Distance: 48-76mm, Tube diameter: 30mm. Light distribution (both): 100:0 (100% for eyepiece), 80:20 (80% for trinocular head and 20% for eyepiece)	○	○
Eyepieces	WF10×/22mm (adjustable)	●	●
	WF10×/22mm (adjustable, reticule 0.1mm)	●	●
Long Working Distance Infinite Plan Objective	LMPlan FL 5×/0.15	●	●
	LMPlan FL 10×/0.30	●	●
	LMPlan FL 20×/0.40	●	●
	LMPlan FL 50×/0.55 (S)	●	●
	LMPlan FL 50×/0.75 (S)	○	○
	LPL 80×/0.80 (S)	○	○
	LMPlan FL 100×/0.85 (S, Dry)	○	○
Nosepiece	Backward Quintuple Nosepiece	●	●
Mechanical Stage	Stage size: 200mm × 150mm, Travel range: 77mm × 52mm. Stage fast lowering unit: Up-Down moving range can be increased to 50mm	●	
	Stage size: 182mm × 140mm, Travel range: 77mm × 52mm Two slid holder, Metal plate size: 200mm x 150mm		●
Focus	Coaxial Coarse and Fine Focusing, Fine Division 0.002mm, Fine Stroke 0.2mm per Rotation, Moving Range 25mm. Tightness adjustment, upper distance limiter	●	●
Micrometer	Stage Micrometer 0.01mm	○	○
Polarizing Unit	Polarizing and Analyzer attachment	●	●
Condenser	Abbe N.A. 1.25 with Iris Diaphragm		●
Reflected Illumination	5W LED lamp (Input voltage: 100V~240V)	●	●
	12V/50W Halogen lamp (Input voltage: 100V~240V)	○	○
Transmitted Illumination	5W LED lamp (Input voltage: 100V~240V)		●
	6V/30W Halogen lamp (Input voltage: 100V~240V)		○
Filter	Blue	●	●
	Green	○	○
	Amber	○	○
	Grey	○	○
C-mount Adapter	1× C-mount (Focus Adjustable)	○	○
	0.75× C-mount (Focus Adjustable)		
	0.5× C-mount (Focus Adjustable)	○	○

Packing	Packing Size: 520×470×430mm, Gross Weight: 16 kgs, Net Weight: 12kgs	•	•
---------	--	---	---

BS-6002TR, BS-6002TTR

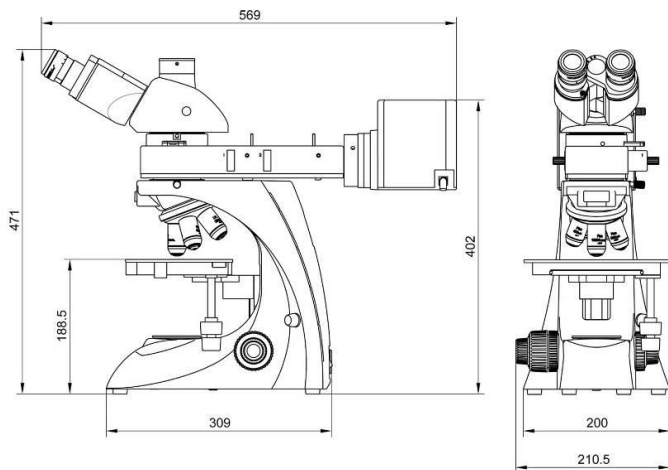
Item	Specification	BS-6002 TR	BS-6002 TTR	
Optical System	Infinite Optical System	•	•	
Viewing Head	Seidentopf Binocular Head, Inclined 30°, Rotatable 360°, Interpupillary Distance: 48-76mm, Tube diameter: 30mm	○	○	
	Seidentopf Trinocular Head, Inclined 30°, Rotatable 360°, Interpupillary Distance: 48-76mm, Tube diameter: 30mm. Light distribution (both): 100:0 (100% for eyepiece), 80:20 (80% for trinocular head and 20% for eyepiece)	•	•	
Eyepieces	WF10× / 22mm (adjustable)	•	•	
	WF10× / 22mm (adjustable , reticule 0.1mm)	•	•	
Long Working Distance Infinite Plan Objective	LMPlan FL 5×/0.15	W.D=21.0mm	•	•
	LMPlan FL 10×/0.30	W.D=20.0mm	•	•
	LMPlan FL 20×/0.40	W.D=15.0mm	•	•
	LMPlan FL 50×/0.55 (S)	W.D=10.0mm	•	•
	LMPlan FL 50×/0.75 (S)	W.D=4.25mm	○	○
	LPL 80×/0.80 (S)	W.D=0.85mm	○	○
	LMPlan FL 100×/0.85 (S, Dry)	W.D=3.00mm	○	○
Nosepiece	Backward Quintuple Nosepiece	•	•	
Mechanical Stage	Stage size: 200mm × 150mm, Travel range: 77mm × 52mm. Stage fast lowering unit: Up-Down moving range can be increased to 50mm	•		
	Stage size: 182mm × 140mm, Travel range: 77mm × 52mm Two slid holder, Metal plate size: 200mm x 150mm		•	
Focus	Coaxial Coarse and Fine Focusing, Fine Division 0.002mm, Fine Stroke 0.2mm per Rotation, Moving Range 25mm. Tightness adjustment, upper distance limiter	•	•	
Micrometer	Stage Micrometer 0.01mm	○	○	
Polarizing Unit	Polarizing and Analyzer attachment	•	•	
Condenser	Abbe N.A. 1.25 with Iris Diaphragm		•	
Reflected Illumination	5W LED lamp (Input voltage: 100V~240V)	•	•	
	12V/50W Halogen lamp (Input voltage: 100V~240V)	○	○	
Transmitted Illumination	5W LED lamp (Input voltage: 100V~240V)		•	
	6V/30W Halogen lamp (Input voltage: 100V~240V)		○	
Filter	Blue	•	•	
	Green	○	○	
	Amber	○	○	
	Grey	○	○	
C-mount Adapter	1× C-mount (Focus Adjustable)	○	○	
	0.75× C-mount (Focus Adjustable)			
	0.5× C-mount (Focus Adjustable)	○	○	

Packing	Packing Size: 520×470×430mm, Gross Weight: 16 kgs, Net Weight: 12kgs	•	•
---------	--	---	---

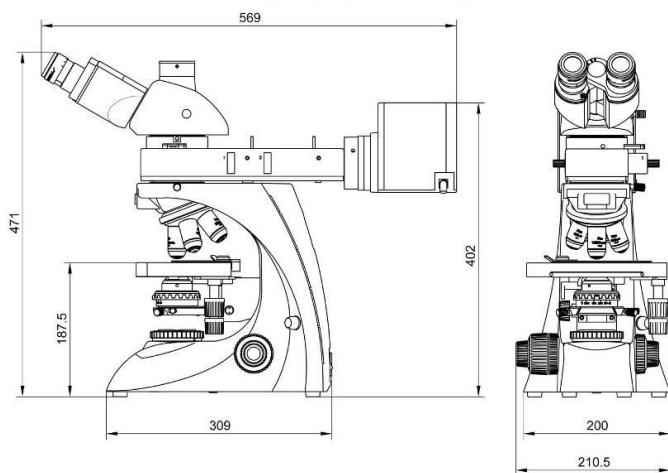
Note: ●Standard Outfit, ○Optional

Dimension

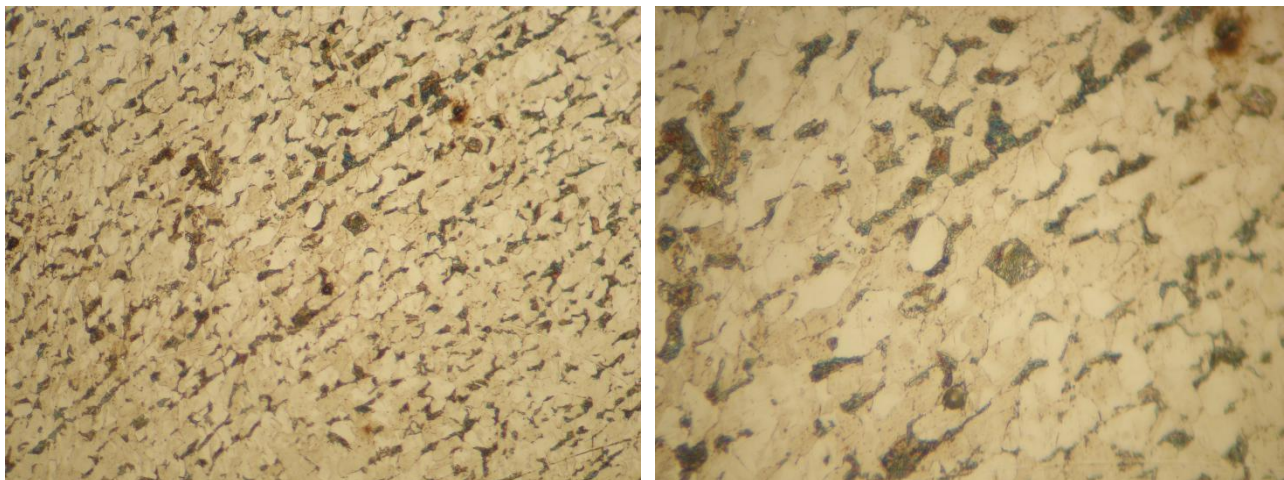
BS-6002BR/BTR Metallurgical Microscope Size (unit: mm)



BS-6002TR/TTR Metallurgical Microscope Size (unit: mm)



Sample Image



System Diagram

